



*(University of Choice)*

**MASINDE MULIRO UNIVERSITY OF  
SCIENCE AND TECHNOLOGY  
(MMUST)**

**MAIN CAMPUS**

**UNIVERSITY EXAMINATIONS  
2014/2015 ACADEMIC YEAR**

**FIRST YEAR SECOND SEMESTER EXAMINATIONS**

**FOR THE DEGREE  
OF  
BACHELOR OF SCIENCE IN CIVIL AND STRUCTURAL  
ENGINEERING**

**COURSE CODE: DCE 060**

**COURSE TITLE: ENGINEERING DRAWING II**

**DATE: THURSDAY 10<sup>TH</sup> DECEMBER 2015  
PM**

**TIME: 9.00 – 12.00**

**INSTRUCTIONS:**

1. Answer Question ALL Questions
2. Examination duration is **3 Hours**

MMUST observes ZERO tolerance to examination cheating

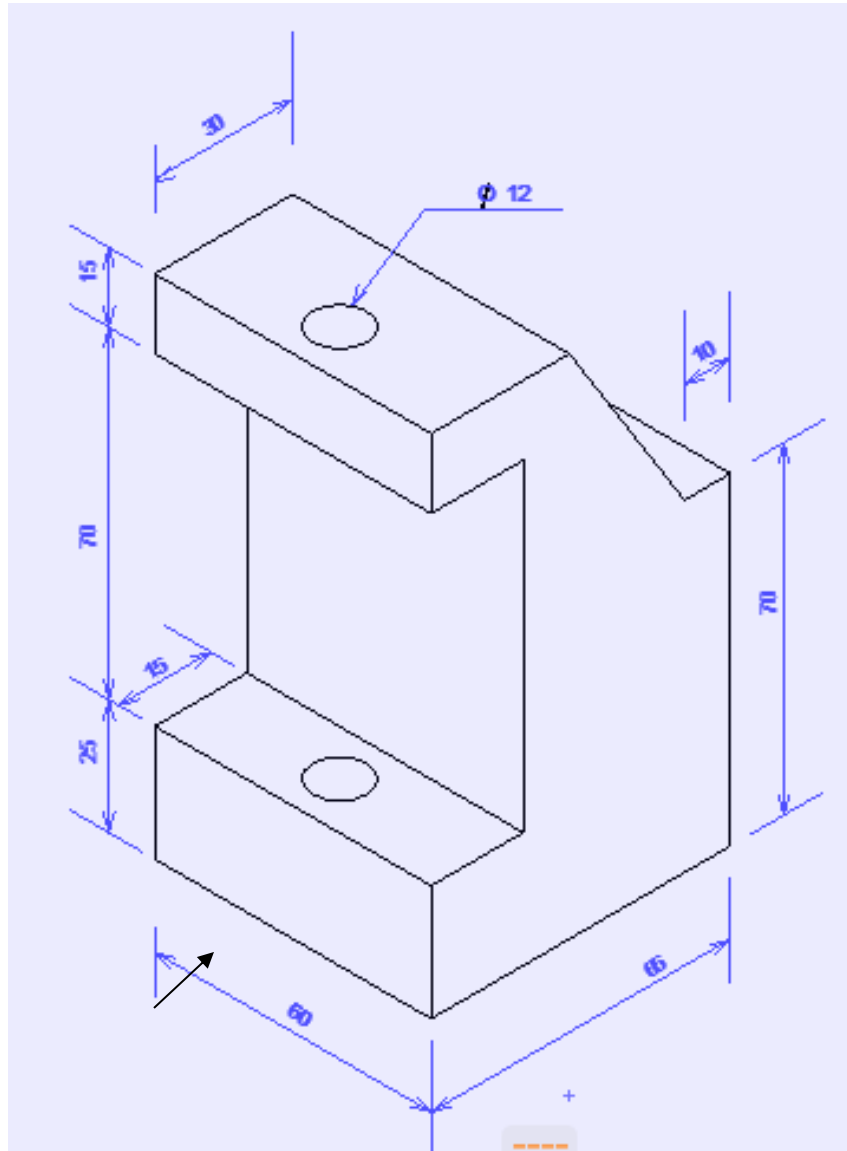
This Paper Consists of 3 Printed Pages. Please Turn Over.

**Question One (20 marks)**

A pentagonal prism edge of base 30mm and height 50mm is resting on one of its corners of the base on H.P. with its axis inclined at  $45^\circ$  to H.P. and parallel to V.P. Draw its projections using Alteration of position of solids method

**Question Two (20 marks)**

For the Figure Q1, draw the plan, front view and the sectional side view.



**Question Three (20 marks)**

A right cylinder of 40mm diameter and 55mm height is cut by a section plane inclined at  $30^\circ$  to H.P. and passes 18mm from the base along the axis. Draw the development of the truncated cylinder.

**Question Four (20 marks)**

A cone of 50mm diameter and axis of 70mm long, resting on its base on H.P. is penetrated by a horizontal cylinder of 25mm diameter. The axis of the penetrating cylinder is parallel to both the V.P and H.P. Draw the projections of the solids showing curves of penetration