



**MASINDE MULIRO UNIVERSITY OF
SCIENCE AND TECHNOLOGY
(MMUST)**

MAIN CAMPUS

UNIVERSITY EXAMINATIONS

2021/2022 ACADEMIC YEAR

FIRST YEAR FIRST SEMESTER EXAMINATIONS

FOR THE DEGREE

OF

**BACHELLOR OF SCIENCE IN GEOSPATIAL INFORMATION
SCIENCE (GIS)**

COURSE CODE: DPG 103

COURSE TITLE: ENGINEERING DRAWING

DATE: 20/04/2022

TIME: 8 - 10AM

INSTRUCTIONS TO CANDIDATES

Answer Question 1(ONE) and any other TWO Questions

MMUST observes ZERO tolerance to examination cheating

This Paper Consists of 2 Printed Pages. Please Turn Over.

QUESTION ONE (COMPULSORY -40MKS)

- a) Using guidelines write alphabetical letters in upper case. (2mks)
- b) Draw different types of lines used in technical drawing stating their respective uses or applications. (3mks)
- c) Draw a triangle given the perimeter of 180mm and sides ratio of 3:5:7 (3mks)
- d) Draw a square given the distance across the sides as 48mm (3mks)
- e) Illustrate how A0 can be divided up to A4 (4mks)
- f) Draw an external tangent to two unequal circles of $\text{Ø}40\text{mm}$ and $\text{Ø}20\text{mm}$ respectively and 60mm c/c distance (5mks)
- g) Draw a pentagon whose side is 25mm. (4mks)
- h) Draw an octagon given the diameter of circumscribed circle of 100mm (5mks)
- i) Draw an ellipse using a four-centered method whose major axis is 60mm and minor axis of 40mm. (6mks)
- j) Construct the involute of an equilateral triangle with 25mm sides. (5mks)

QUESTION TWO

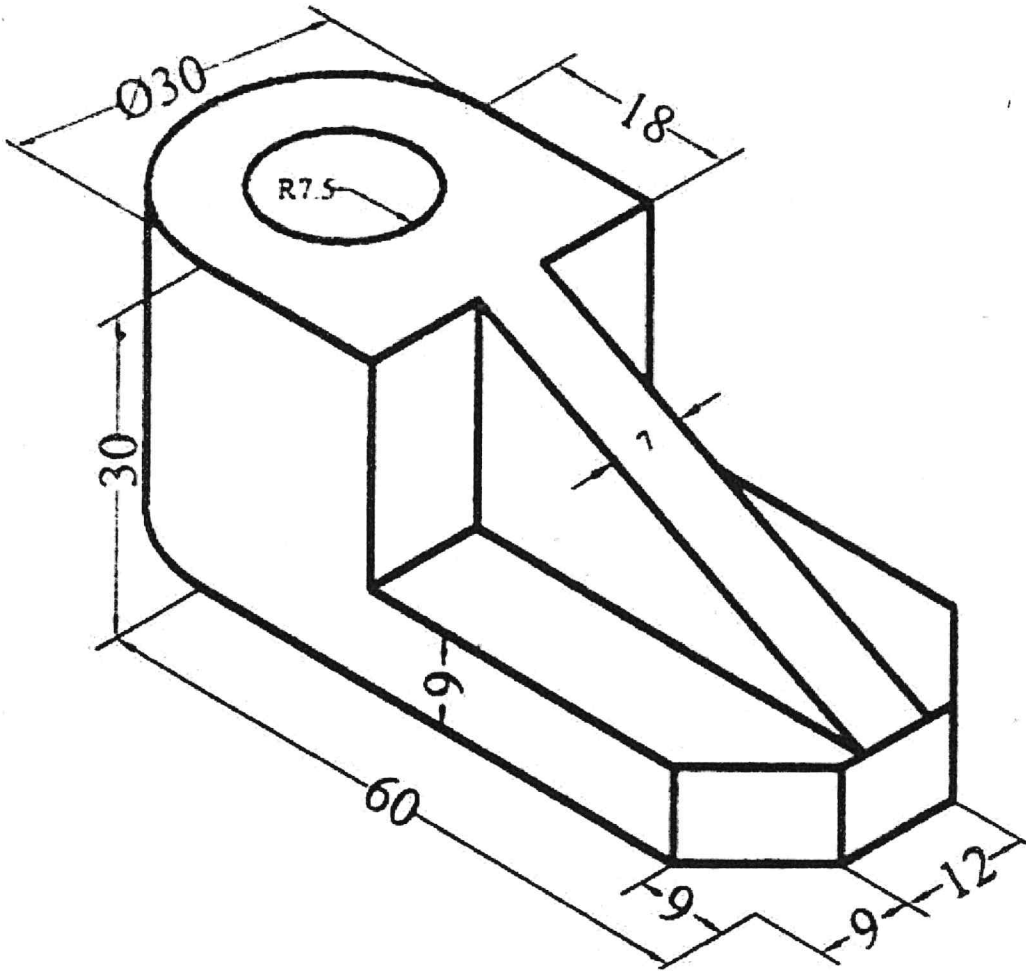
Fig. Q2 shows the pictorial view an isometric block. Draw orthographic views using first angle projection. (15mks)

QUESTION THREE

Fig. Q3 shows the orthographic views of simple shaped block. Draw the isometric view of the block. (15mks)

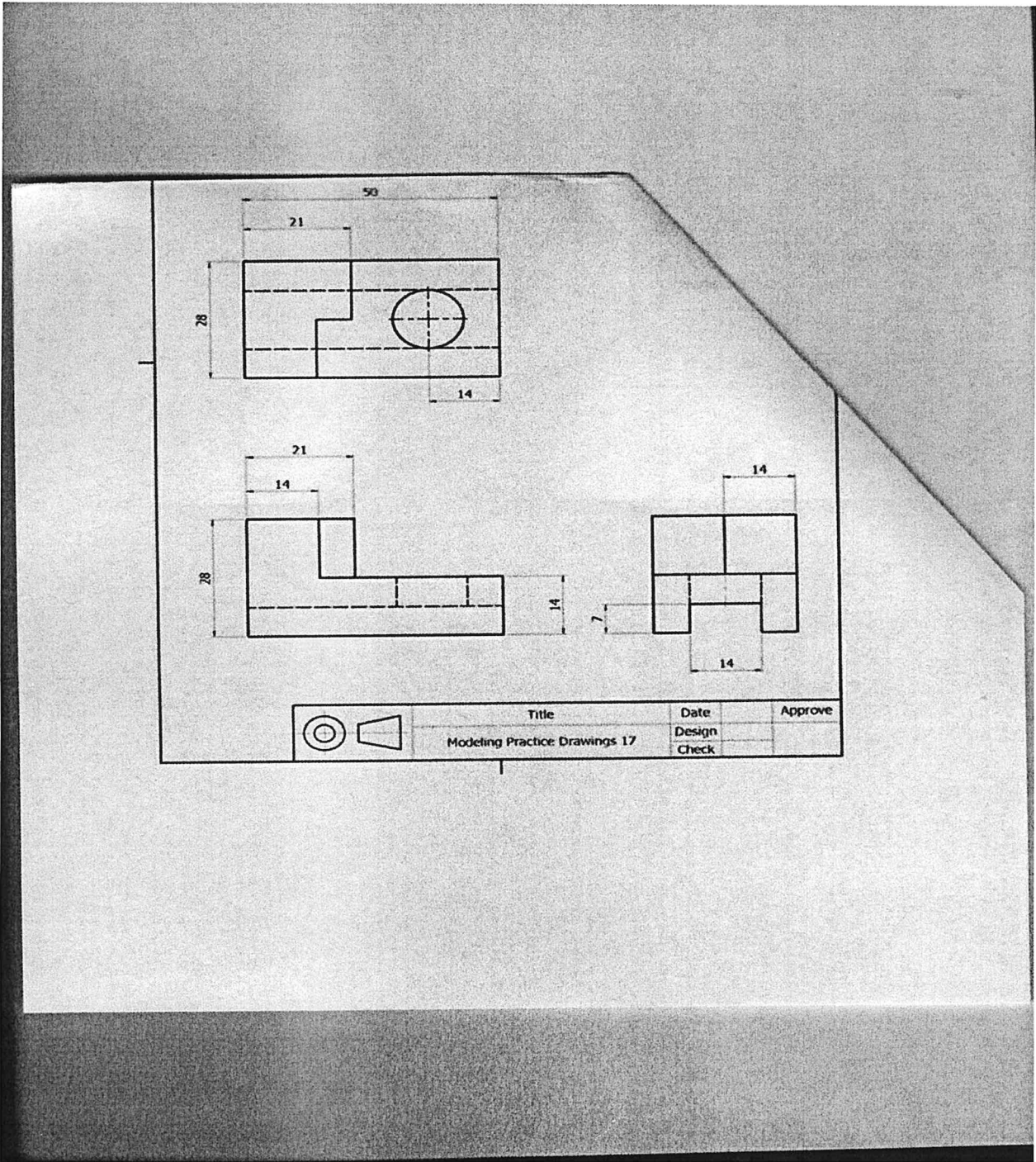
QUESTION FOUR

Fig. Q4 shows the views a block metal work. Draw the oblique drawing of the block. (15mks)



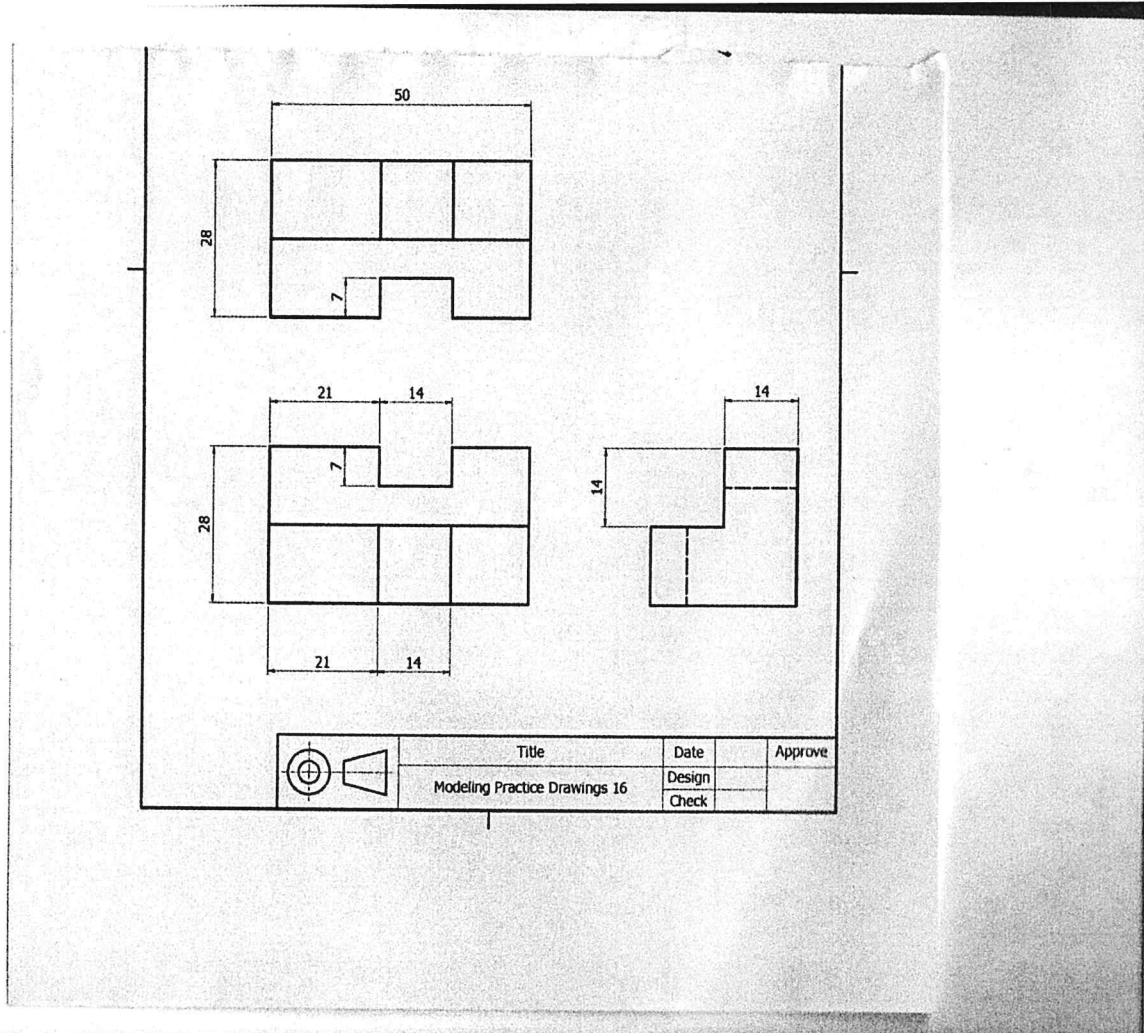
All dimensions in mm

Fig Q2



All dimensions in mm

Fig. Q3



All dimensions in mm

Fig. Q4

