



(The University of choice)

**MASINDE MULIRO UNIVERSITY OF
SCIENCE AND TECHNOLOGY
(MMUST)**

**UNIVERSITY EXAMINATIONS
2023/2024 ACADEMIC YEAR**

**YEAR ONE FIRST SEMESTER EXAMINATIONS
(Main examination)**

BACHELOR OF SCIENCE FOOD SCIENCE AND TECHNOLOGY

COURSE CODE: AET 100

COURSE TITLE: Technical Drawing

DATE: 21st Dec 2023

TIME: 8 - 10 AM

Instructions: This paper consists of 3 questions

Section A is compulsory, Answer any 2 questions from Section B

Observe the regulations governing clean drawing production

SECTION A

Question One (20 marks)

- (a) Give the different types of lines used in the preparation of a technical drawing and their functions **(5 marks)**
- (b) Distinguish, giving their respective symbols between first and third angle projection **(5 marks)**
- (c) On the same drawing, (i) construct an equilateral triangle and a hexagon of side of side 7cm. (ii) Circumscribe a circle on both figures and give the radii of both circles. **(10 marks)**

SECTION B

Question Two (10 marks)

Using proper line work and to a scale of 1:1, produce an isometric drawing of Figure 1.

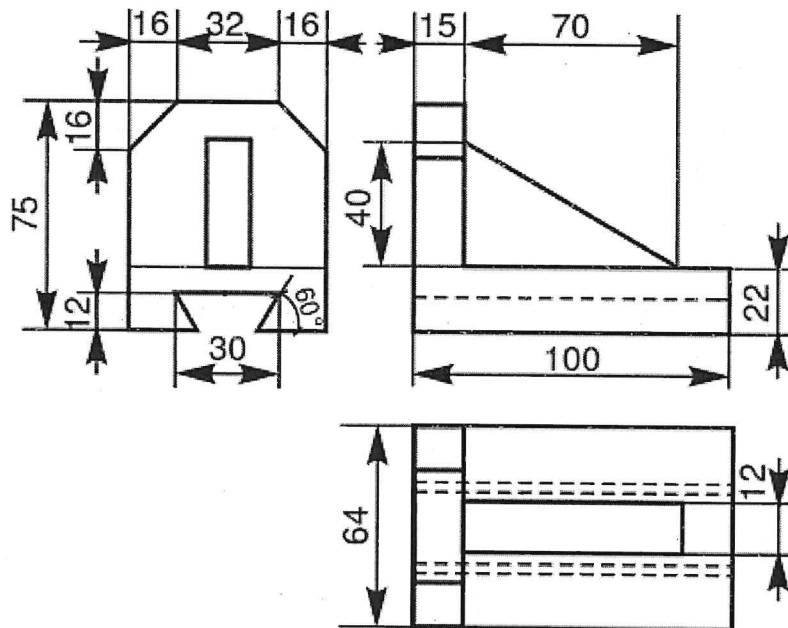


Figure 1

Question Three (10 marks)

Using proper line work and to a scale of 1:1, Draw figure 2, observing all the drawing regulations **(10 marks)**

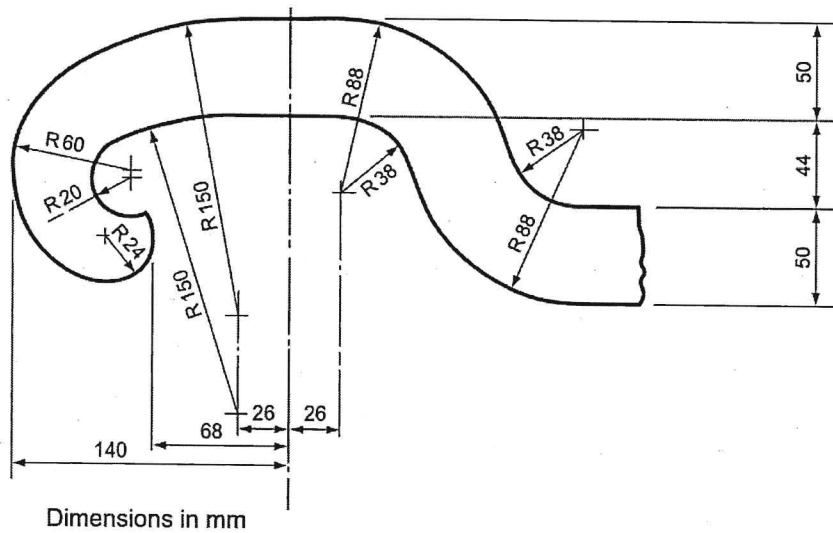


Figure 2

Question Three (10 marks)

The figure 3 shows details of a cast concrete block. To a scale of 1:10 draw the following:

- The two given views.
- An EE looking in the direction of the arrow K .

