



(University of Choice)

**MASINDE MULIRO UNIVERSITY OF
SCIENCE AND TECHNOLOGY
(MMUST)**

MAIN CAMPUS

UNIVERSITY EXAMINATIONS

2022/2023 ACADEMIC YEAR

FIRST YEAR SECOND SEMESTER EXAMINATIONS

FOR THE DEGREE OF

BACHELOR OF TECHNOLOGY EDUCATION

COURSE CODE: TEC 104

COURSE TITLE: TECHNICAL DRAWING II

DATE: 13/04/2023

TIME: 8.00- 11.00AM

INSTRUCTIONS

- Answer questions 1,2 and any other **one** question.
- All dimensions are in mm unless otherwise stated.

Time : 3 hours.

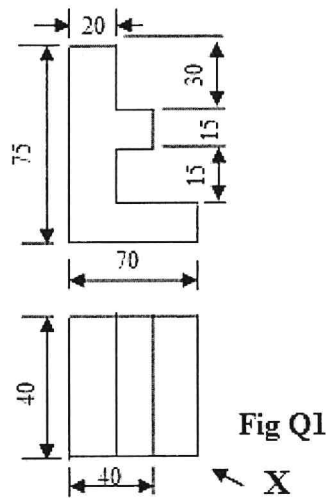
MMUST observes ZERO tolerance to examination cheating

This Paper Consists of 3 Printed Pages. Please Turn Over

Question One

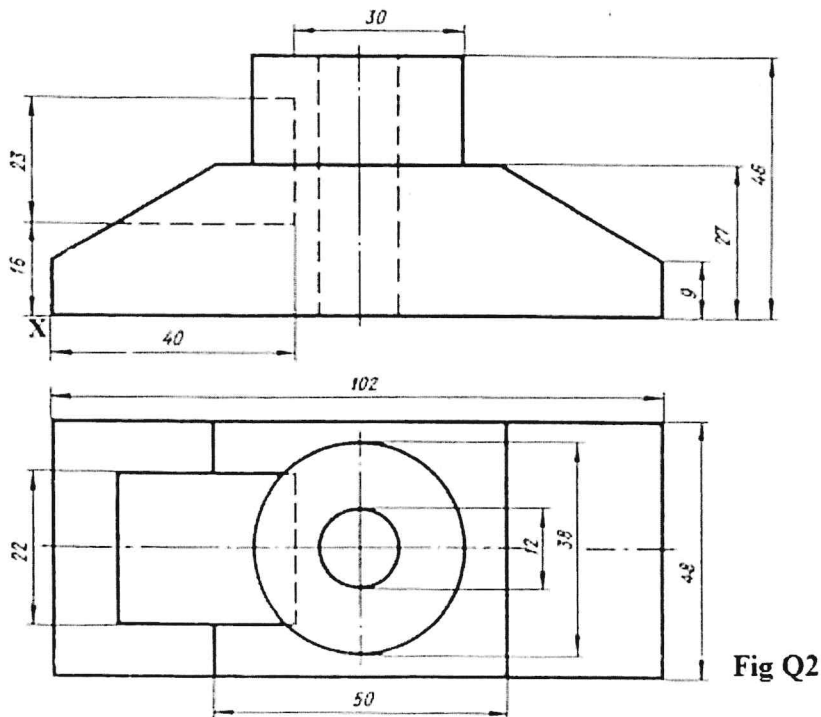
Fig. Q1 shows views of a machined block in 1st angle orthographic projection. Copy the given views and then

- a) Draw the first auxiliary view in the direction of arrow **X**, inclined at 30°
 - b) Draw the secondary auxiliary projected from the top of first auxiliary (a) above.
- (40 marks)



Question Two

Fig Q2 shows views of a shaped block in first angle orthographic projection. Draw the block in isometric projection with corner **X** as the lowest corner. (25 marks)



Question Three

The crank OA, fig.Q3, rotates clockwise about O. The end B of the link AB moves along the line PQ and FD swings about F. Draw the locus of E for one revolution of OA. OA = 40mm, AB = 150 mm, BC = 65 mm, CD = 130 mm and DE = DF = 75 mm. (15 marks)

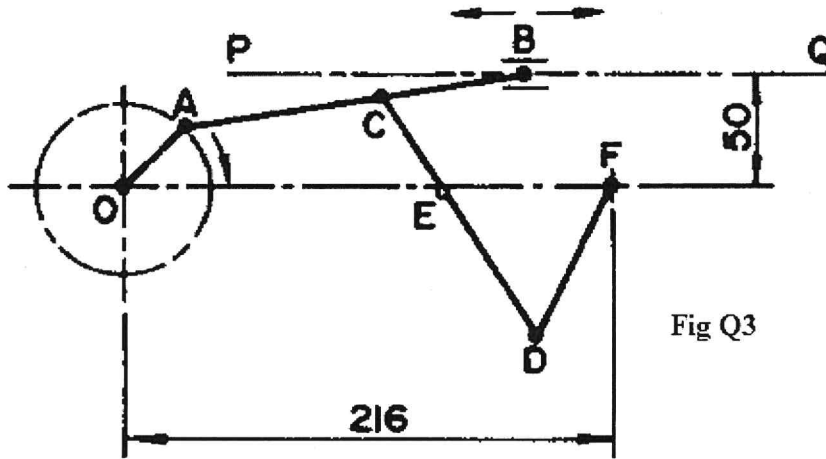


Fig Q3

Question Four

Fig. Q4 shows roof's front and plan for a model house. The roofing is done using plain sheets. Establish the true shape for parts A, B, C and D of the roof. (15 marks)

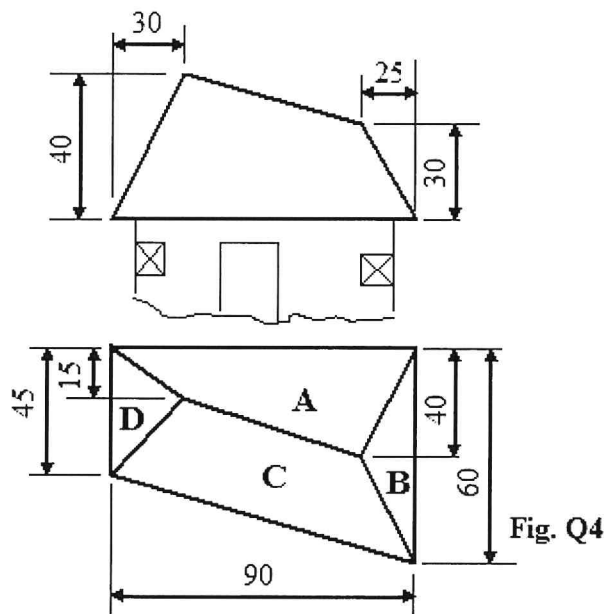


Fig. Q4

