

70
DAG/DAH 057



**MASINDE MULIRO UNIVERSITY OF
SCIENCE AND TECHNOLOGY
(MMUST)
SCHOOL OF AGRICULTURE, VETERINARY SCIENCES AND
TECHNOLOGY (SAVET)**

MAIN CAMPUS

**UNIVERSITY EXAMINATIONS
2023/2024 ACADEMIC YEAR**

**MAIN EXAMS
OF
DIPLOMA IN (GENERAL AGRICULTURE / HORTICULTURE)**

COURSE CODE: DAG/DAH 057

COURSE TITLE: TECHNICAL DRAWING

DATE: 21.12.23

TIME: 8-10AM

INSTRUCTIONS TO CANDIDATES

This paper is divided into two sections, **A and B**. Answer ALL Questions in SECTION A and any Two in SECTION B

MMUST observes ZERO tolerance to examination cheating

This Paper Consists of 4 Printed Pages. Please Turn Over

SECTION A: ANSWER ALL QUESTIONS (40 MARKS)

Q1. a) i) Give any two goals / objectives of studying technical drawing. (4 marks)

ii) Which are the two commonly used techniques in engineering drawings? (4 marks)

iii) When do we use 2H and 4H pencils in technical drawing? (2 marks)

B. i.) With the aid of a diagram show standard metric sheet sizes used in technical drawing papers (4 marks)

ii) With the aid of a diagram hand sketch a title Block dimensions giving all the labels. (4 marks)

iii) Using the spaces between the lines in your booklet in Roman Print, Print alphabetic letters in their lowercase. (2 marks)

C) i. Given an equilateral triangle with sides measuring 60mm inscribe a circle and show all your construction lines (6 marks)

ii. Bisect a straight line **AB into two measuring 73mm. Show all your construction lines. (4 marks)**

D. 1) With the aid of a diagram show chain dimensioning in Technical drawing (4 marks)

ii) Define the following terms as used in technical drawing

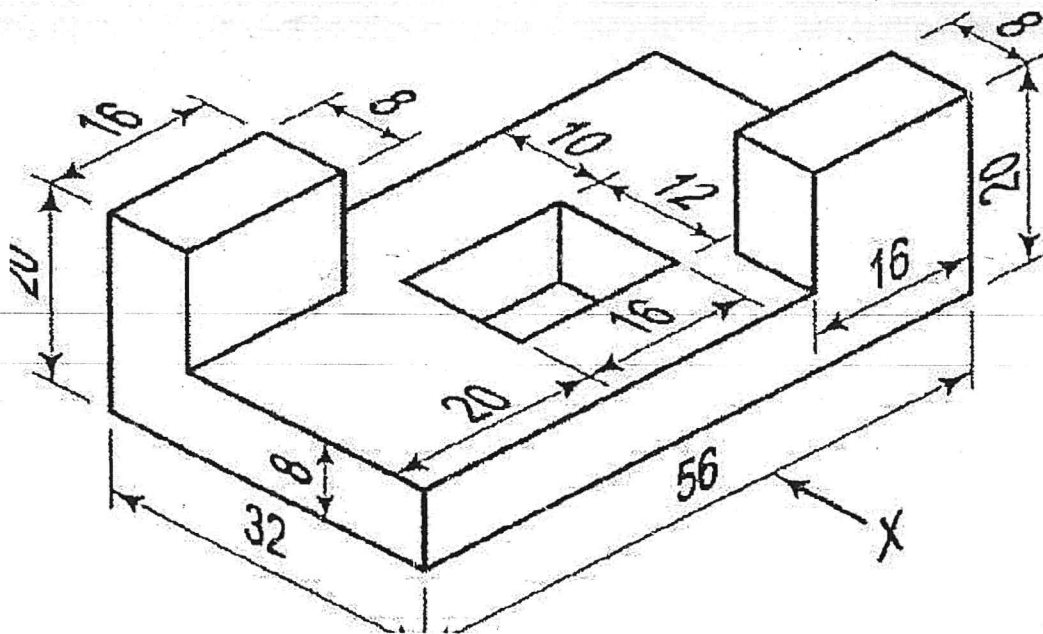
1. Chamfer (3 marks)

2. Baseline dimensioning (3 marks)

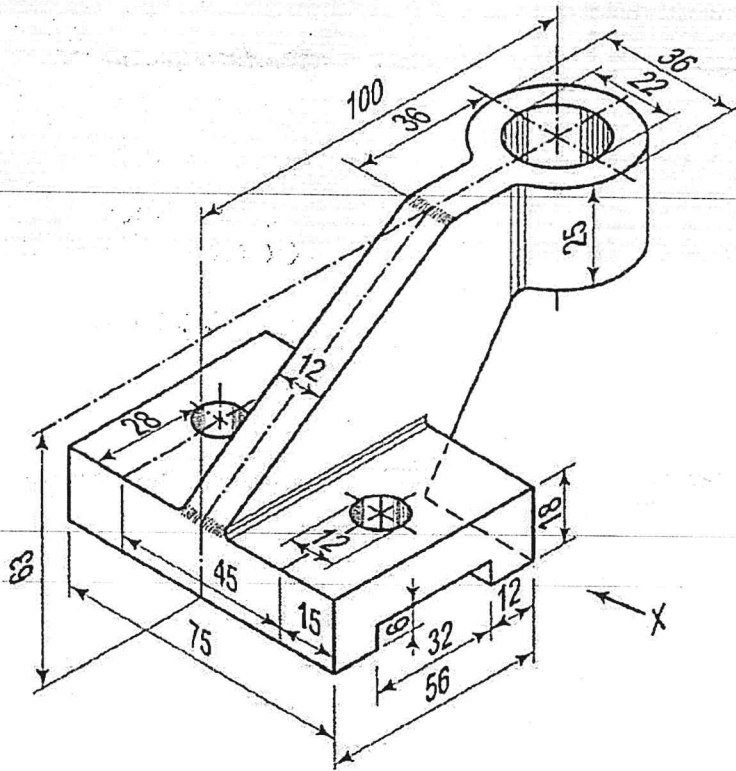
SECTION B. ANSWER ANY TWO QUESTIONS(30 MARKS)

Q2. Draw a regular octagon given the distance across corners as 65mm. (15marks)

Q3. Using first angle projection draw the three views of the figure shown and include any five major dimensions (15 marks)



Q4. Using free-hand sketching draw the pictorial drawing given. (15 marks)



Q5. Circumscribe a circle around triangle ABC with the base length 50mm and two sides of 70mm each. (15 marks)