

70



(University of Choice)
**MASINDE MULIRO UNIVERSITY OF
SCIENCE AND TECHNOLOGY
(MMUST)**

MAIN CAMPUS

**UNIVERSITY EXAMINATIONS
2023/2024 ACADEMIC YEAR
SECOND YEAR FIRST SEMESTER EXAMINATIONS**

**FOR THE DEGREE OF
BACHELOR OF SCIENCE IN MECHANICAL AND INDUSTRIAL
ENGINEERING**

COURSE CODE: MIE 161

COURSE TITLE: ENGINEERING DRAWING I

DATE: Wednesday 20/12/2023

TIME: 8.00 am - 10.00 am

INSTRUCTIONS TO CANDIDATES

This paper contains FOUR questions
Question ONE is Compulsory
Answer Any other TWO (2) questions
All abbreviations have their usual meaning in the context of Engineering
Drawing

MMUST observes ZERO tolerance for examination cheating

This Paper Consists of 4 Printed Pages. Please Turn Over. ►

QUESTION ONE (COMPULSORY)

(40 marks)

The part of a lock block shown in FIG 1 is to be fabricated in a workshop. As the design engineer, you are required to develop the orthographic projections for this component in 1st Angle projection. Draw the front elevation, right end elevation and the plan using the actual scale.

QUESTION TWO

(30 Marks)

Fig Q2 shows the drawing of a telephone receiver. Interpret and redraw accurately for design purposes. Use a scale of 1:1.

QUESTION THREE

(30 Marks)

The part of a machine lock assembly shown in Fig Q3 is to be analyzed critically. In 1st Angle and Scale of 1:1, Draw the half sectional front view, half sectional left end elevation and the plan.

QUESTION FOUR

(30 Marks)

Using free hand sketching, accurately draw the orthographic projections of the cast iron block shown in Fig Q4. Use first angle projection.

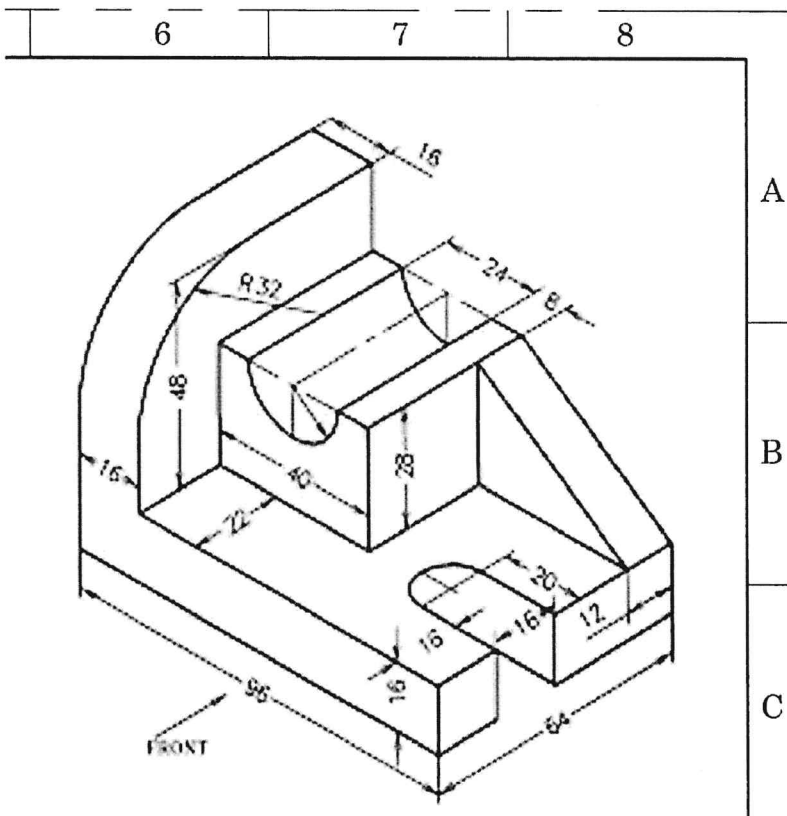


Fig Q 1

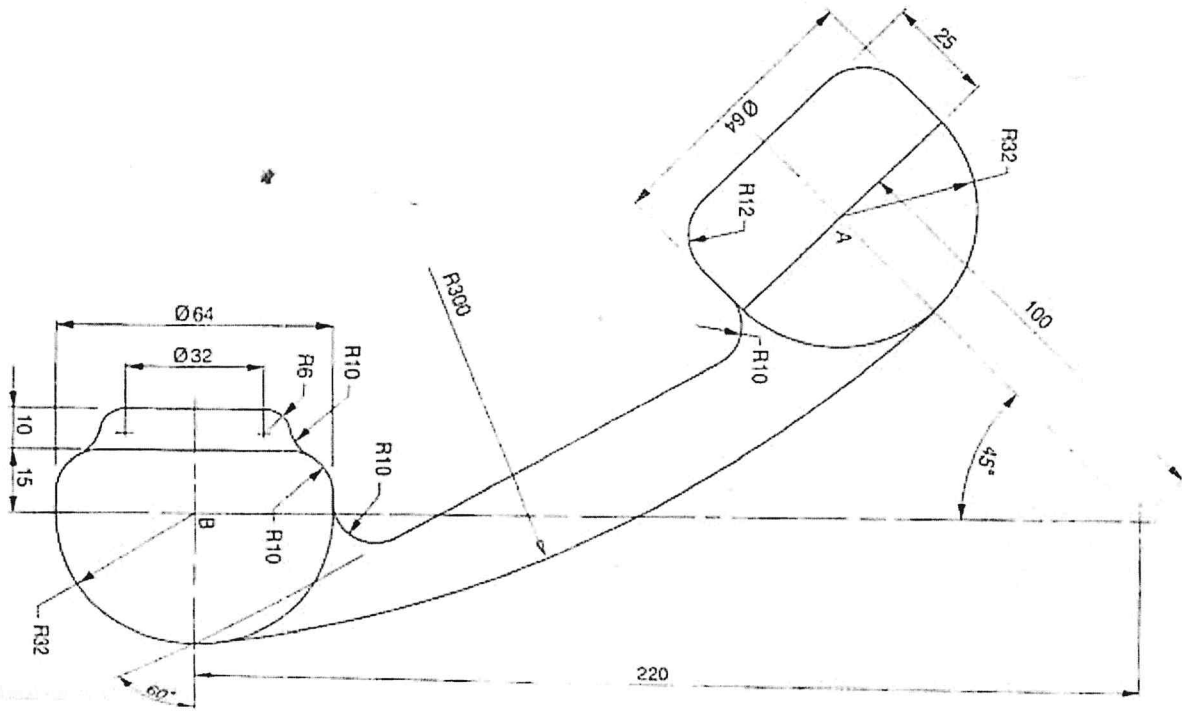


Fig Q 2

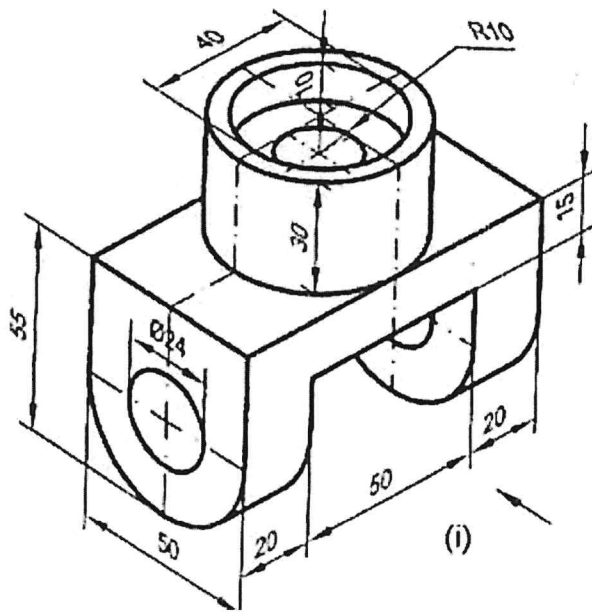


Fig Q 3

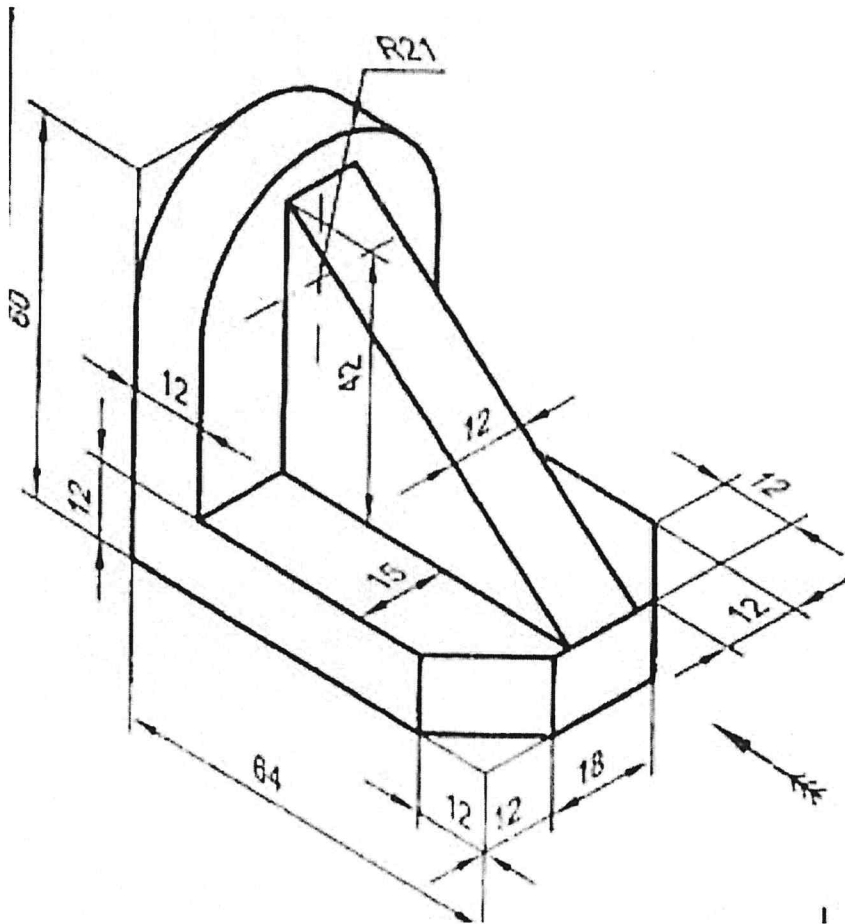


Fig Q 4