



**MASINDE MULIRO UNIVERSITY OF SCIENCE AND
TECHNOLOGY
(MMUST)**

MAIN CAMPUS

**UNIVERSITY MAIN EXAMINATIONS
2023/2024 ACADEMIC YEAR**

FIRST YEAR FIRST SEMESTER EXAMINATIONS

**FOR THE DEGREE
OF
BACHELOR OF SCIENCE IN CIVIL AND STRUCTURAL
ENGINEERING**

COURSE CODE: CSE 111

COURSE TITLE: ENGINEERING DRAWING I

DATE: 5TH DECEMBER 2023 TIME: 8 A.M – 11 A.M

INSTRUCTIONS:

1. This paper contains FOUR questions
2. **Question ONE (1) is Compulsory**
3. **Attempt a total of THREE questions in this booklet.**
4. Marks for each question are indicated in the parenthesis.

Examination duration is **3 Hours**

MMUST observes **ZERO** tolerance to examination cheating

This Paper Consists of 3 Printed Pages. Please Turn Over.

Question 1 (20 marks)

- a) Draw the Title Block to have all necessary information as is for answer booklets for other examinations. (3 marks)
- b) Draw the following lines stating their respective uses
 - i) Thick continuous (1 mark)
 - ii) Thin continuous (1 mark)
 - iii) Medium continuous (1 mark)
- c) Construct a triangle whose perimeter is 180mm and sides ratio are 2:3:5 (3 marks)
- d) Construct a pentagon given the side AB=30mm using the circle method (4 marks)
- e) Construct an ellipse given the major axis =90mm and minor axis=70mm using rectangular method (4 marks)
- f) Construct a Parabola given the base AB=80mm and height OV=65mm (3 marks)

Question 2 (10 marks)

The **Figure Q.2** shows an isometric view of a Cutter Holder. Draw orthographic views of the block in 1st Angle projection.

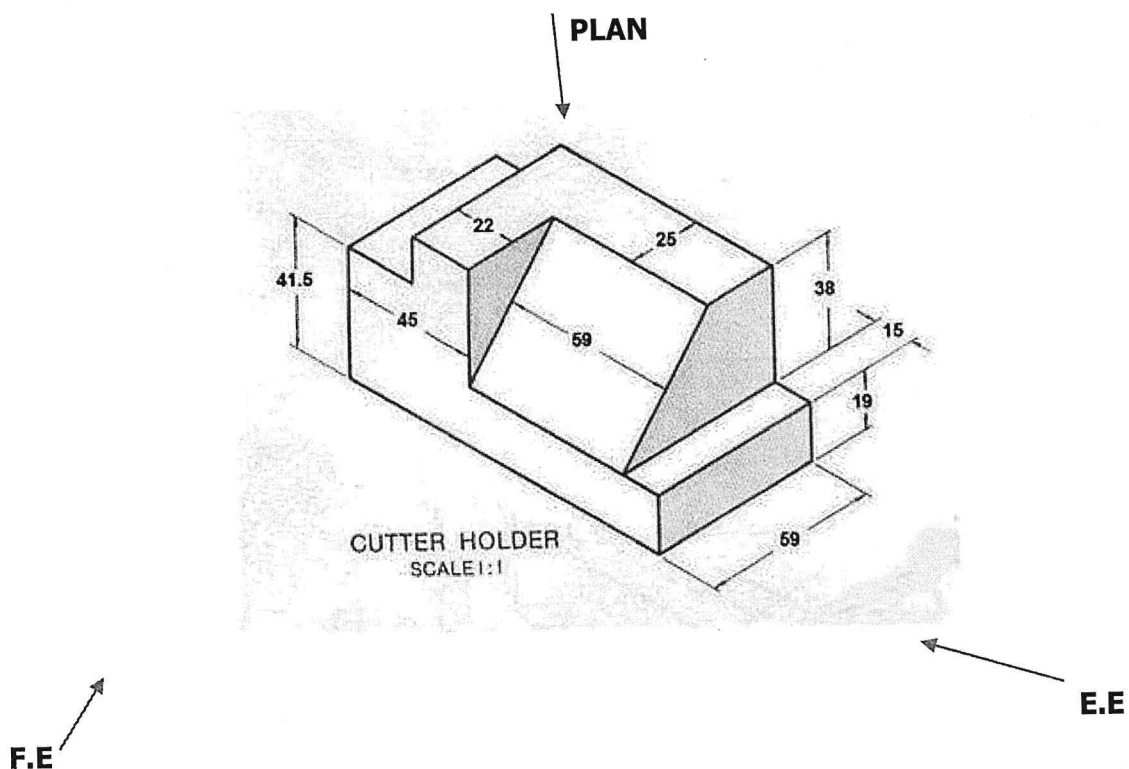
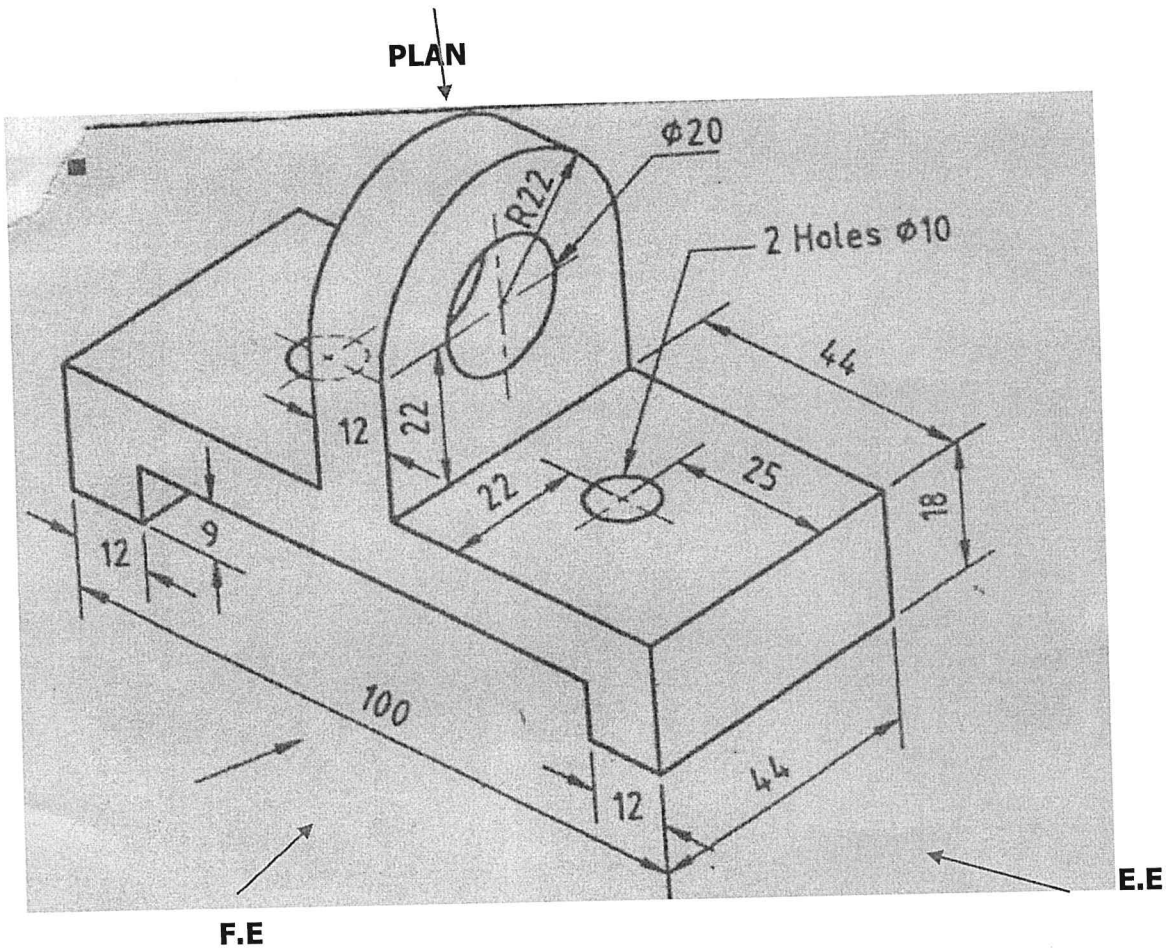


Figure Q.2

Question 3 (20 marks)

Figure Q.3 shows an isometric view of a shaped block. Draw orthographic views of the block in 3rd Angle projection.



Question 4

(10 marks)

Figure Q.4 shows an isometric block of a shaped block. Use the graphs to sketch the block in free hand. Ignore cutting plane A-A

